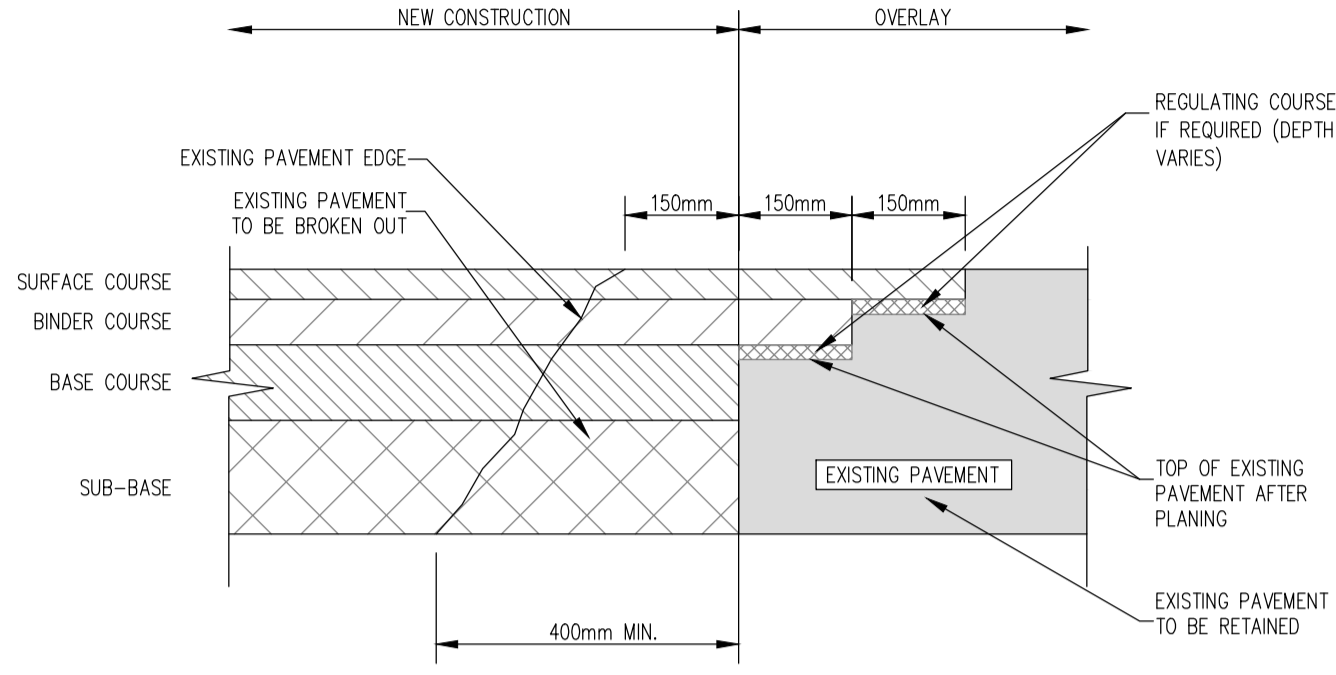


NOTES:

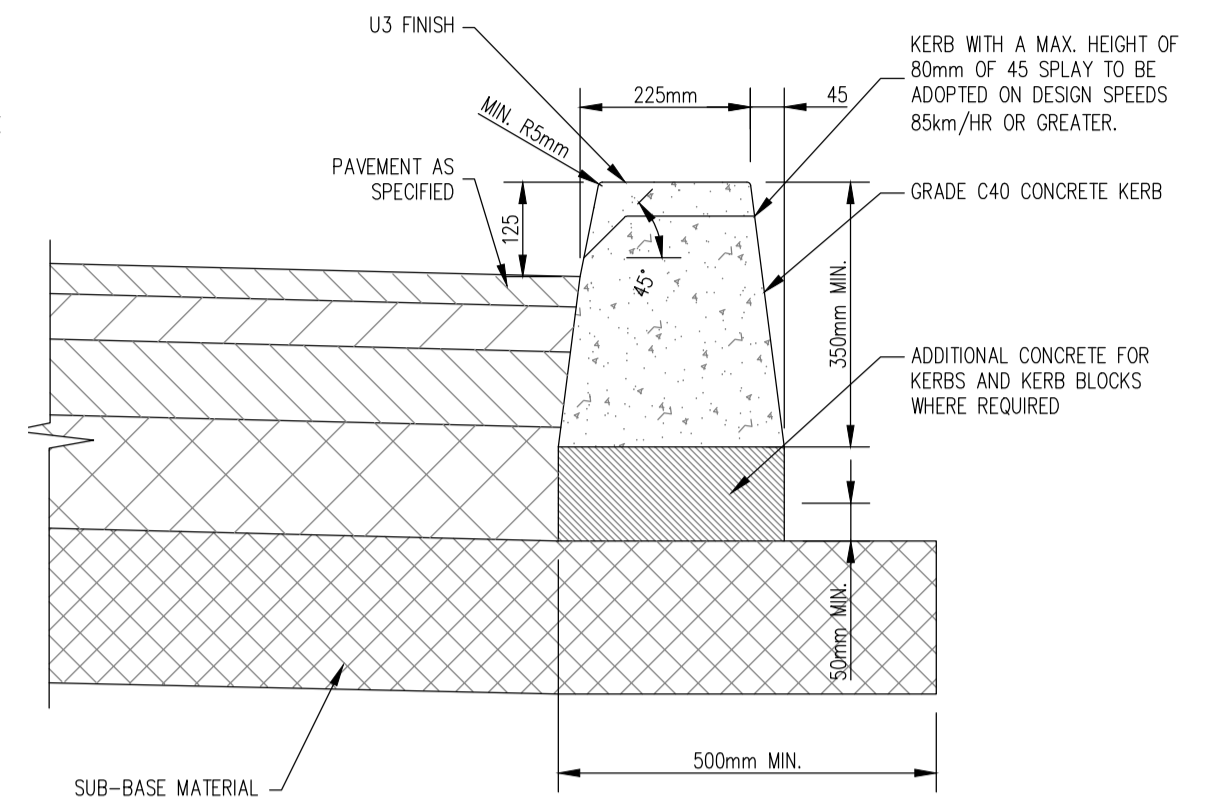
- EDGES OF EXISTING CARRIAGEWAY TO BE CUT BACK BY 0.4m MINIMUM WITH A ROTARY SAW TO FORM A VERTICAL FACE AND PRIMED IN ACCORDANCE WITH CLAUSE 903
- WHERE THE BASE IS TO BE LAID IN TWO LAYERS, THE UPPER LAYER OF BASE SHOULD BE STEPPED INTO THE EXISTING PAVEMENT BY 150mm MINIMUM WITH THE BINDER AND SURFACE COURSE TO BE EACH STEPPED IN A FURTHER 150mm MINIMUM RESPECTIVELY
- CUTBACK AND BENCHING IN SHALL BE INCREASED AS NECESSARY UNTIL SOUND CLEAN MATERIAL IS ENCOUNTERED.



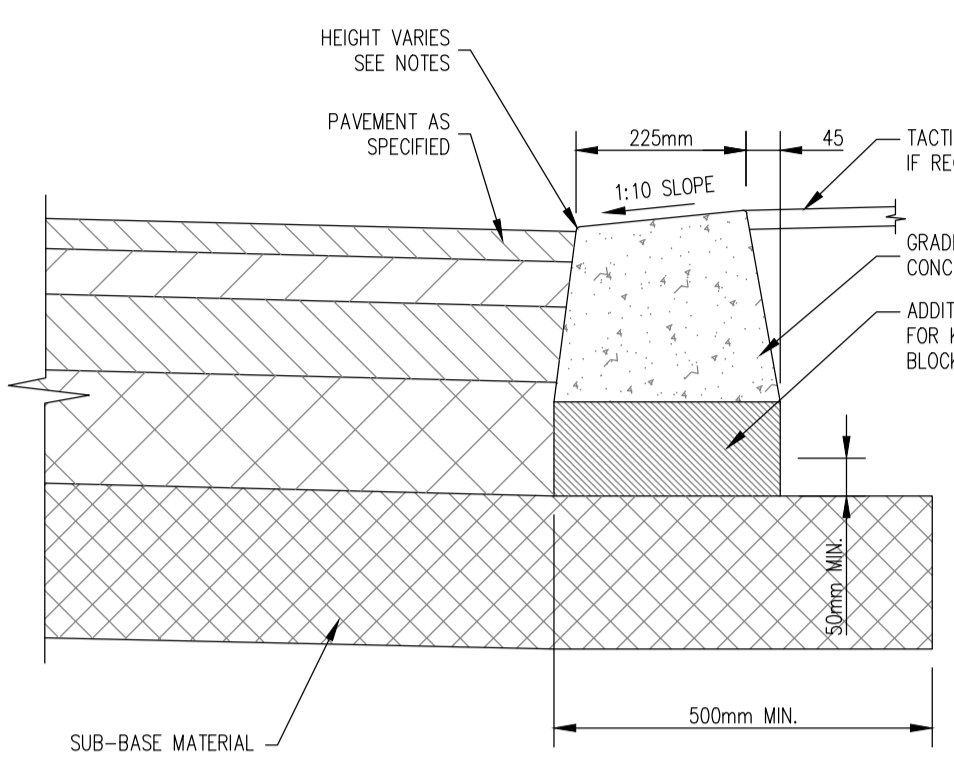
LONGITUDINAL JOINT BETWEEN NEW ROAD CONSTRUCTION AND EXISTING
SCALE 1:10

NOTES:

- IN-SITU CONCRETE KERBS SHALL COMPLY WITH THE RECOMMENDATIONS OF B.S. 5931.
- KERBS SHALL BE PROTECTED FROM THE EFFECTS OF ADVERSE WEATHER UNTIL CURED.
- DROP KERB HEIGHT VARIES FROM 25mm FOR VEHICULAR ACCESSES AND 0.6mm FOR PEDESTRIAN CROSSINGS



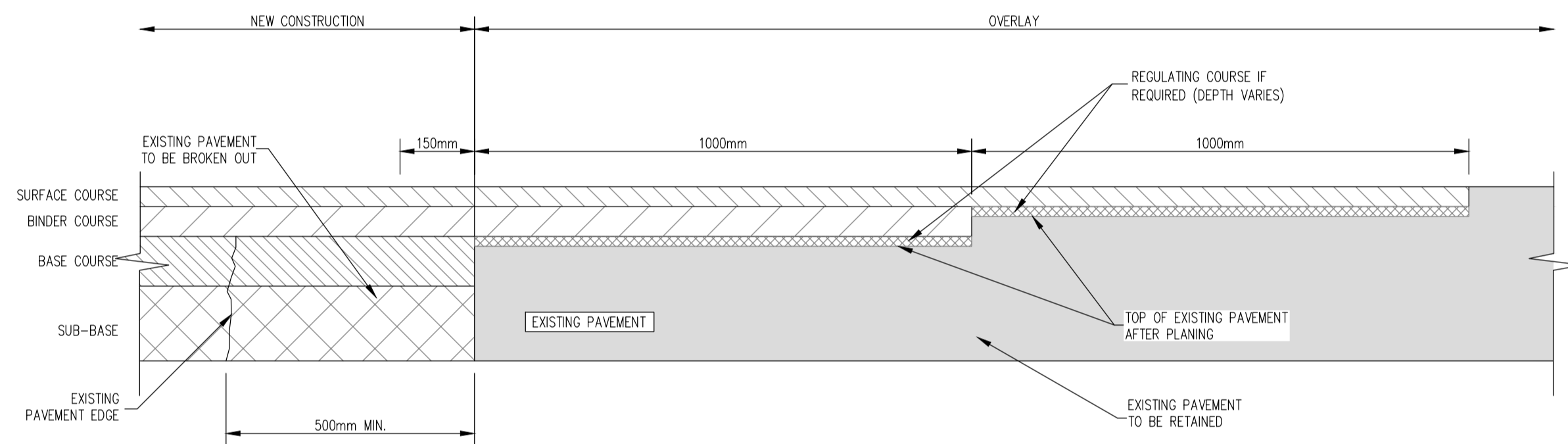
STANDARD IN-SITU CONCRETE KERB
SCALE 1:10



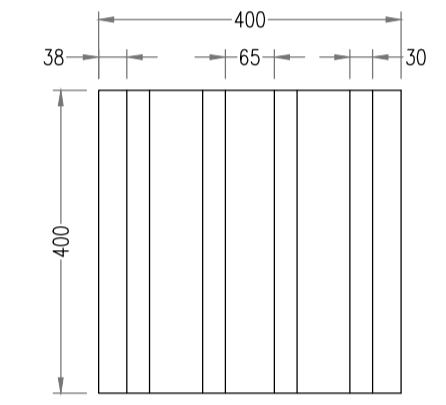
STANDARD IN-SITU CONCRETE DROP KERB
SCALE 1:10

NOTES:

- EDGES OF EXISTING CARRIAGEWAY TO BE CUT BACK BY 0.5m MINIMUM WITH A ROTARY SAW TO FORM A VERTICAL FACE AND PRIMED IN ACCORDANCE WITH CLAUSE 903
- WHERE THE BASE IS TO BE LAID IN TWO LAYERS, THE UPPER LAYER OF BASE SHOULD BE STEPPED INTO THE EXISTING PAVEMENT BY 1m MINIMUM WITH THE BINDER AND SURFACE COURSE TO BE EACH STEPPED IN A FURTHER 1m MINIMUM RESPECTIVELY



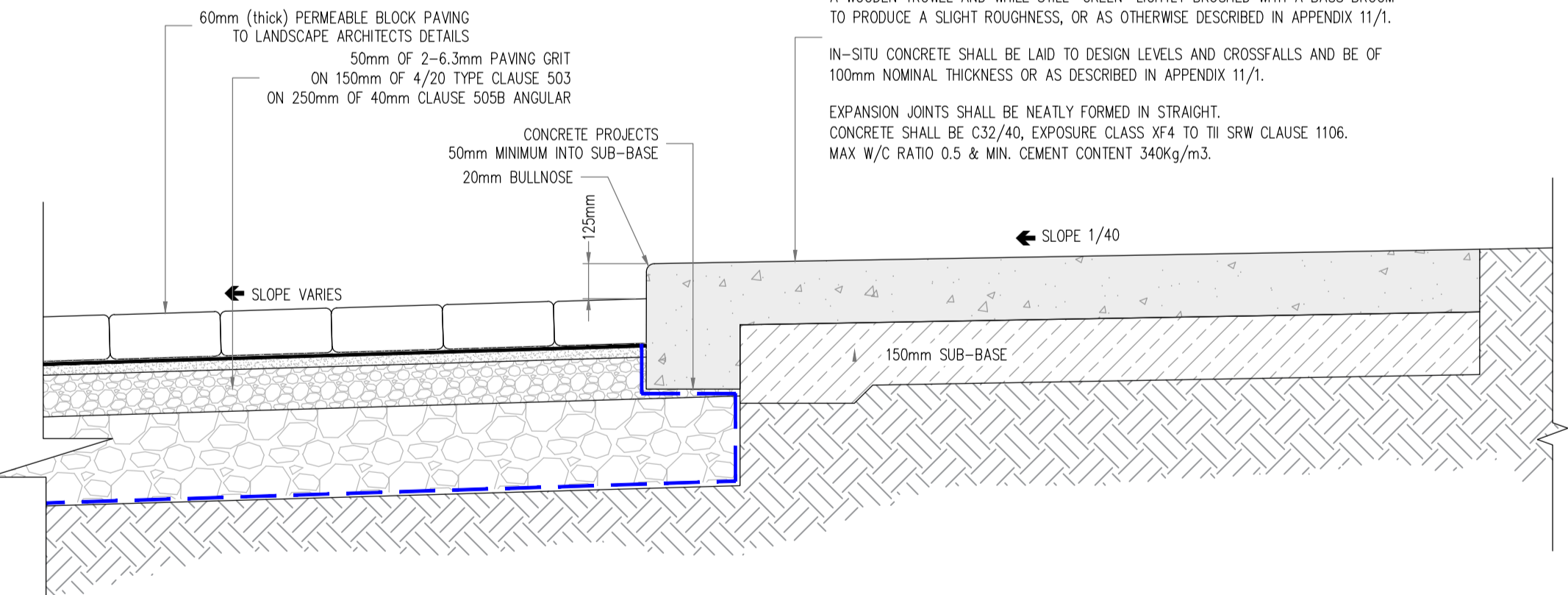
TRANSVERSE JOINT BETWEEN NEW ROAD CONSTRUCTION AND EXISTING
SCALE 1:10



CORDUROY TACTILE PAVING AT CONTROLLED PEDESTRIAN CROSSINGS.
SCALE: 1:10

IN-SITU CONCRETE FOR FOOTWAYS AND PAVED AREAS SHALL MEET THE REQUIREMENTS FOR EXPOSURE CLASS XF4 IN IS EN 206-1. IT SHALL BE MADE, LAID AND CURED IN ACCORDANCE WITH REQUIREMENTS OF THE 1000 SERIES OR OTHERWISE DESCRIBED IN APPENDIX 11/1. IT SHALL BE FINISHED BY FLOATING WITH A WOODEN TROWEL AND WHILE STILL "GREEN" LIGHTLY BRUSHED WITH A BASS BROOM TO PRODUCE A SLIGHT ROUGHNESS, OR AS OTHERWISE DESCRIBED IN APPENDIX 11/1.

EXPANSION JOINTS SHALL BE NEATLY FORMED IN STRAIGHT. CONCRETE SHALL BE C32/40, EXPOSURE CLASS XF4 TO TH SRW CLAUSE 1106. MAX W/C RATIO 0.5 & MIN. CEMENT CONTENT 340kg/m³.



IN-SITU CONCRETE FOOTPATH/KERB DETAIL.
SCALE: N.T.S.

NOTE:

- ALL DIMENSIONS IN MILLIMETERS UNLESS STATED OTHERWISE.
- ALL STEELWORK TO BE GRADE S235 J2 IN ACCORDANCE WITH IS EN 12899-1.
- ALL STEELWORK TO BE HOT-DIP GALVANIZED IN ACCORDANCE WITH IS EN ISO 1461.
- CHECK THE UNDERGROUND SERVICES AT AN EARLY STAGE (AND ACCOMMODATE AS MAY BE NECESSARY).
- REFER TO TRAFFIC SIGN MANUAL FOR ALL STANDARD DIMENSION.
- POST EMBEDMENT TO BE 0.75xD
- ORIENTATION OF SIGN:
 - ON A STRAIGHT ROAD - HORIZONTAL AXIS 90° AWAY FROM THE GENERAL ALIGNMENT OF THE LEFT-HAND SIDE OF THE CARRIAGEWAY
 - ON A RIGHT-HAND BENDS - 90° ANGLE TO A LINE TANGENTIAL TO THE LEFT-HAND EDGE OF CARRIAGEWAY
 - ON A LEFT-HAND BENDS - 90° FROM A LINE JOINING THE EDGE OF CARRIAGEWAY 200m IN ADVANCE OF THE SIGN

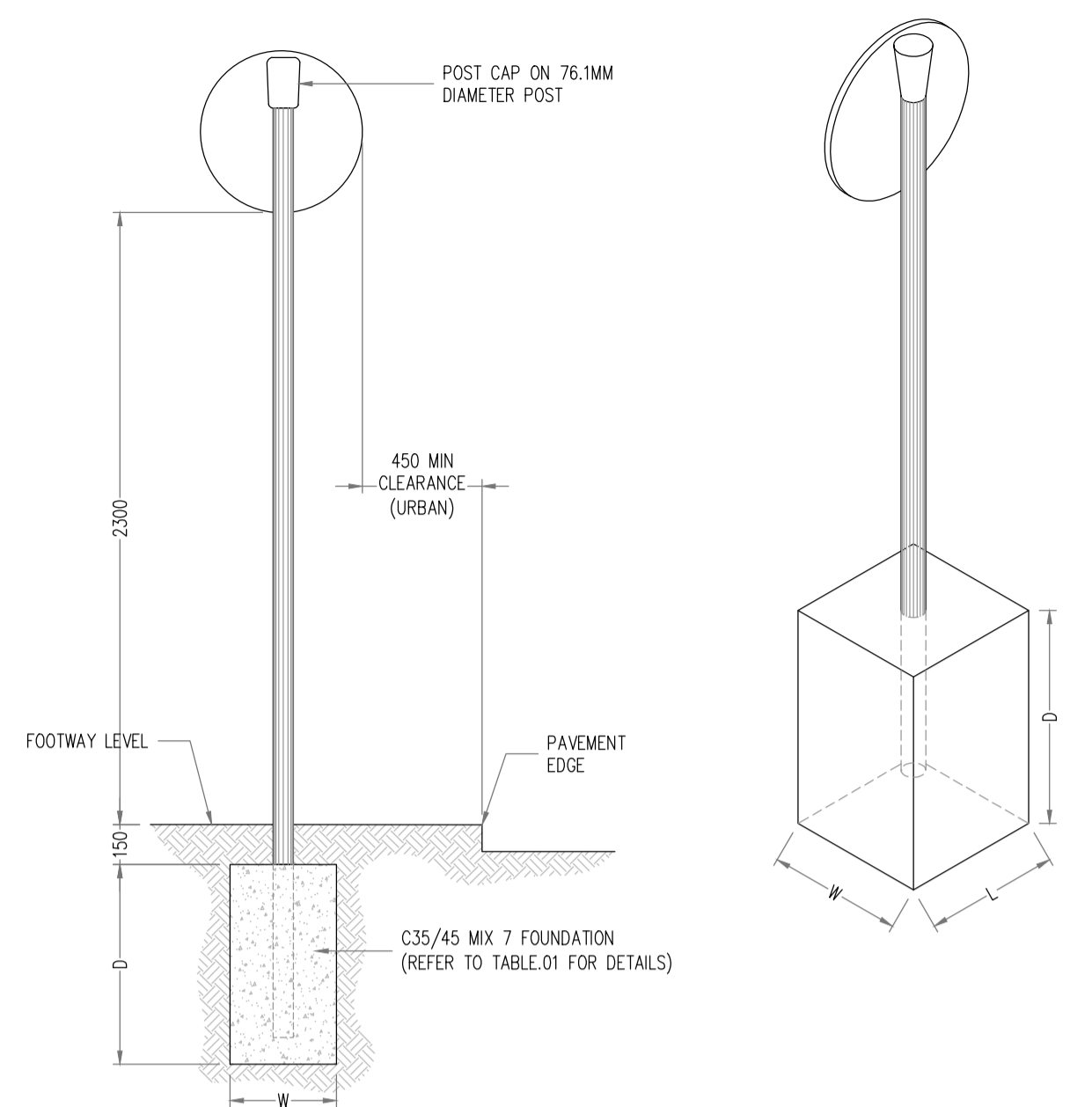
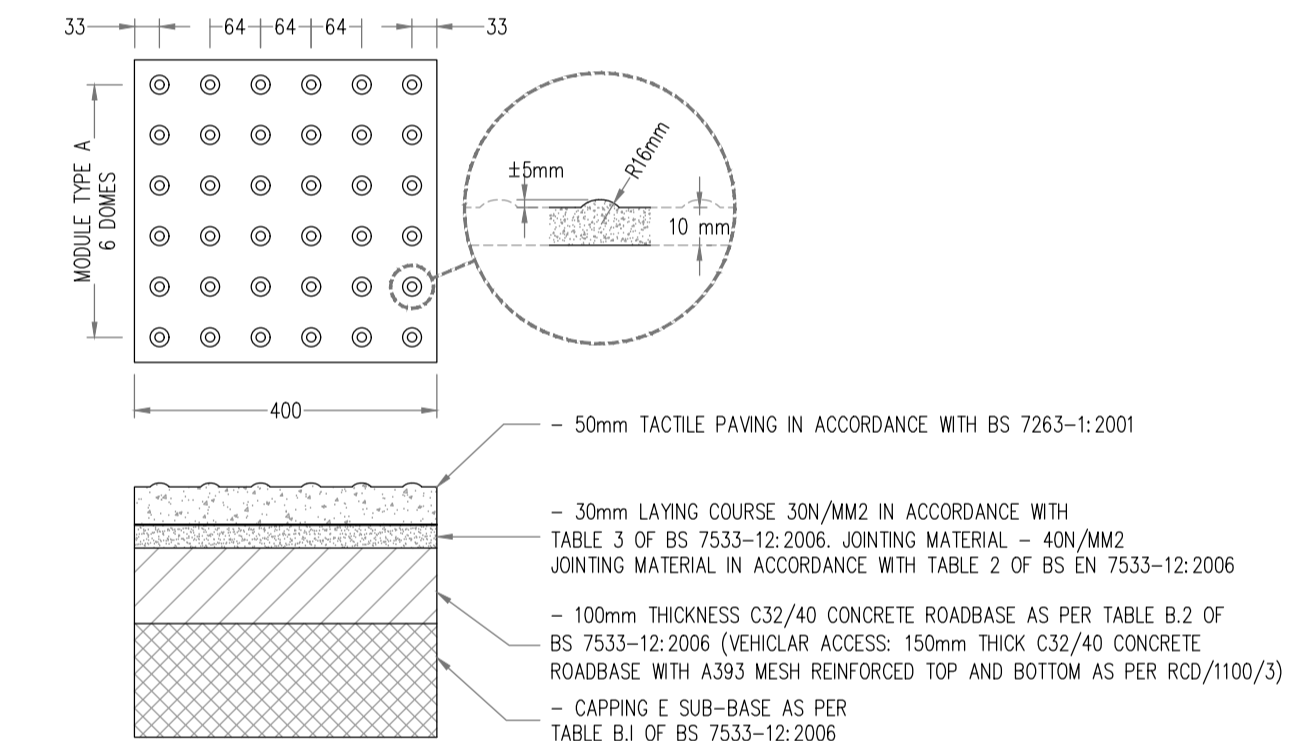
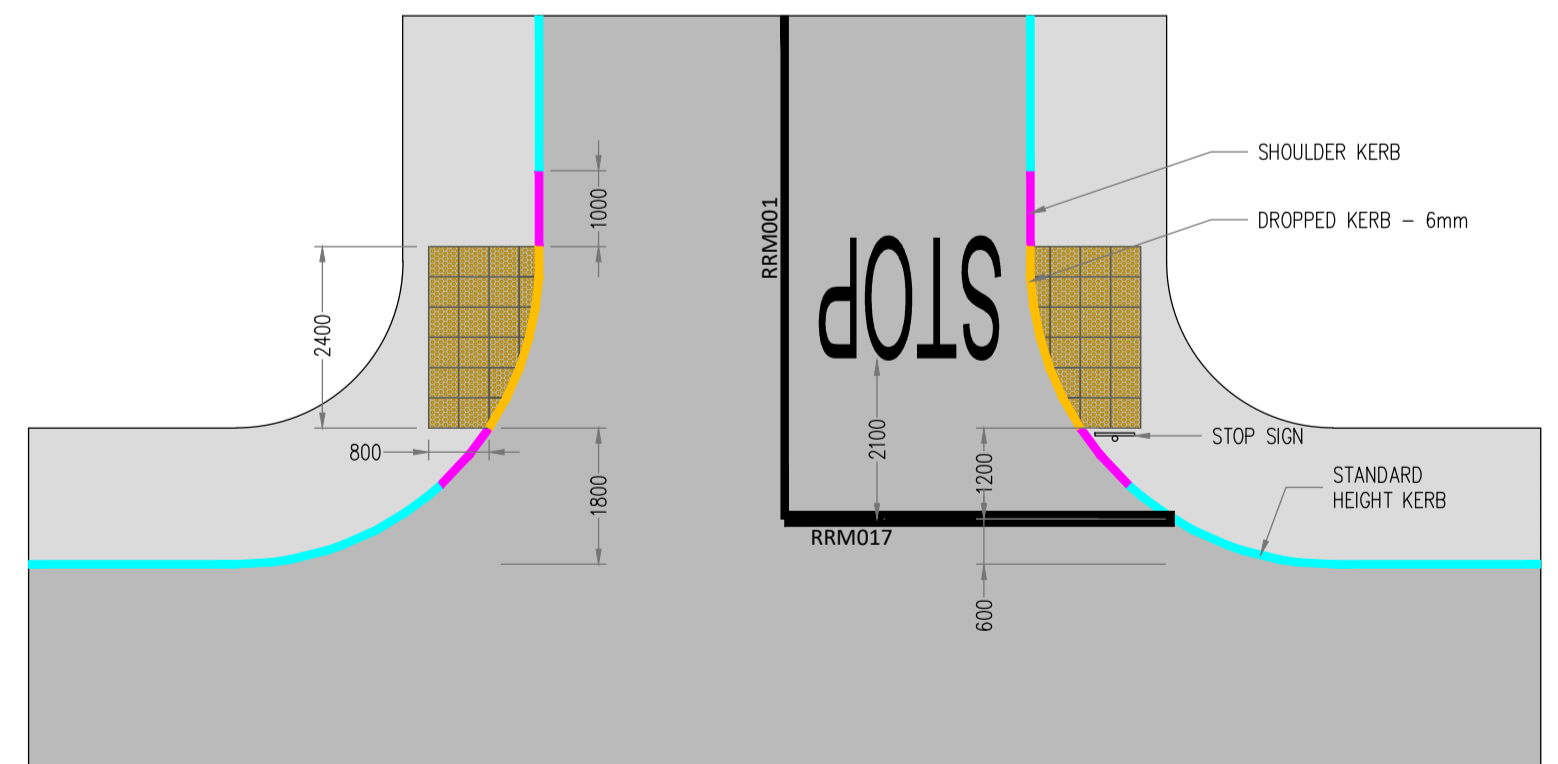


TABLE 01

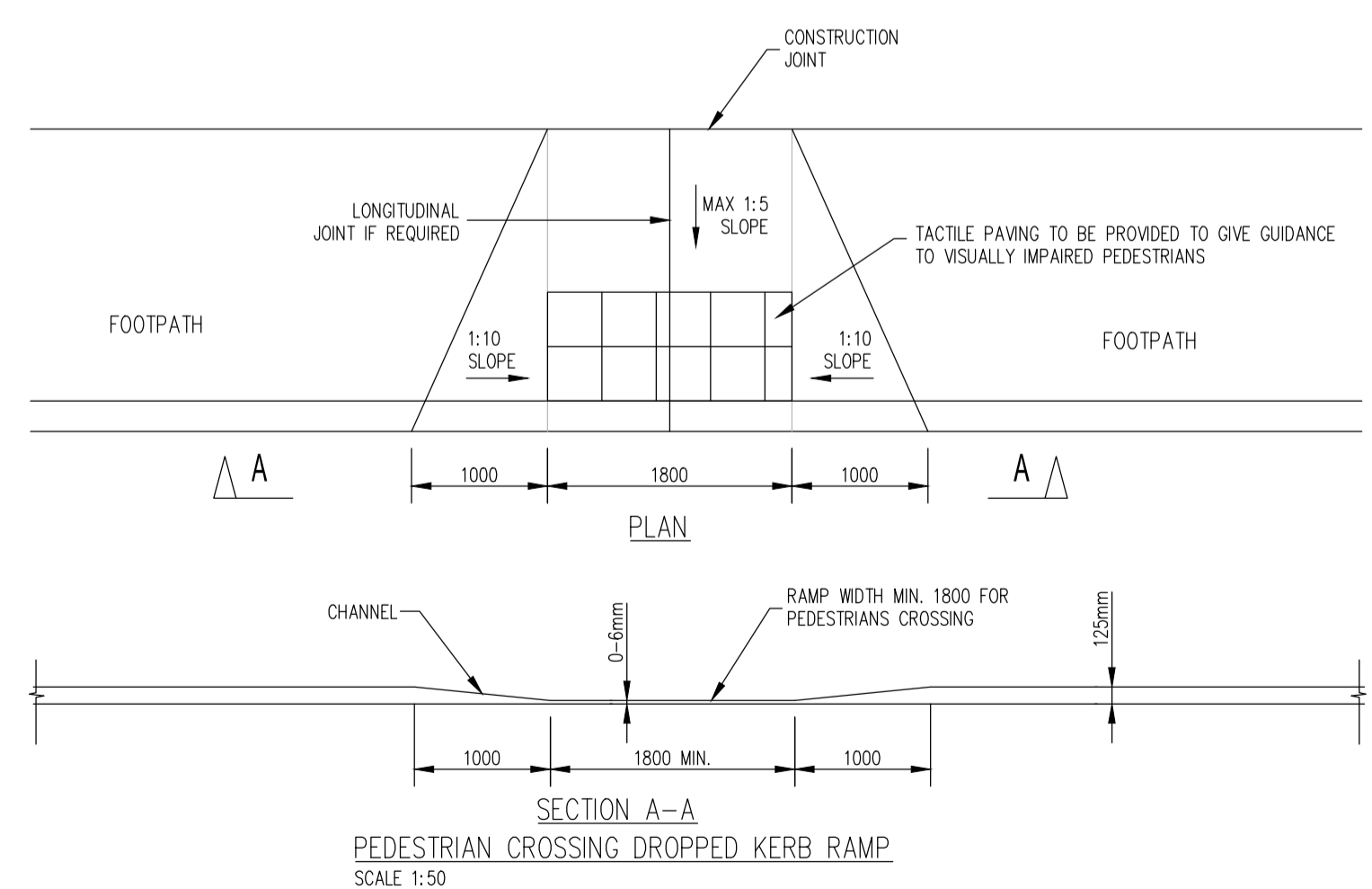
SUMMARY	TRADITIONAL FOUNDATION OPTION 1			TRADITIONAL FOUNDATION OPTION 2			PLANTED FOUNDATION		POST DETAILS		
	L	W	D	L	W	D	Ø	D	Ø	WALL THICKNESS	TYPE
SIGN FACE AREA											
≤0.283 m ² (Ø600mm)	0.75	0.40	0.55	0.55	0.55	0.55	0.40	0.50	76.1	3.2	CHS
0.283<AREA≤0.5625m ² (BETWEEN 600Ø & 750x750)	0.75	0.65	0.65	0.70	0.70	0.70	0.40	0.65	76.1	3.2	CHS
0.5625<AREA≤1.189m ² (750x750 TO 940x1265m ²)	1.00	0.75	0.50	0.80	0.80	0.80	0.40	0.75	76.1	3.2	CHS



TACTILE PAVING AT CONTROLLED/UNCONTROLLED PEDESTRIAN CROSSINGS
SCALE: 1:10



RESIDENTIAL DEVELOPMENT.
STANDARD T JUNCTION WITH TACTILE PAVING - FOOTPATH
SCALE: 1:100



SECTION A-A
PEDESTRIAN CROSSING DROPPED KERB RAMP
SCALE: 1:50

PLANNING DRAWING.
NOT FOR CONSTRUCTION.
ALL LEVELS GIVEN ARE
RELATIVE TO ORDNANCE DATUM.
THIS DRAWING HAS BEEN ISSUED FOR INFORMATION
PURPOSES ONLY AND MUST NOT BE USED
FOR CONSTRUCTION UNDER ANY CIRCUMSTANCES

NOTES

- For setting out refer to Architect's drawings.
- This drawing to be read in conjunction with all other Architectural and Engineering drawings and all other relevant drawings and Specifications.
- DO NOT SCALE THIS DRAWING. Use figured dimensions only.
- No part of this document may be reproduced or transmitted in any form or stored in any retrieval system of any nature without the written permission as copyright holder except as agreed for use on the project for which the document was originally issued.
- Ordnance Survey Ireland Licence Number EN 0074022

Rev. No.	Date	REVISION NOTE

Drn. By	Chkd. By	Architect	Project	Dwg. No.	Date	Drn. By	Chkd. By	Aprvd. By	Scale	Revision

MCA Architects Ltd
Stradbrook Road Development
Title: ROAD CONSTRUCTION DETAILS
SHEET 1 OF 2
Dwg. No.: BLK-CSC-ZZ-XX-DR-C-0016
Date: Oct 2020
Drn. By: AB
Chkd. By: GL
Aprvd. By: NB
Scale: AS SHOWN @A1
Revision:

CS Consulting Group
DUBLIN | LONDON | LIMERICK
Head Office: 19-22 Dame Street, Dublin 2.
T: +353 (0)1 5480863
E: info@csconsulting.ie
W: www.csconsulting.ie
Quality Environment Energy Health & Safety
I.S. EN ISO 9001:2008
I.S. EN ISO 14001:2004
I.S. EN ISO 50001:2011
OHSAS 18001:2007