

NOTES: 6.1 ALL DIMENSIONS ARE IN MILLIMETRES (mm) UNLESS NOTED OTHERWISE. SOFT 2 THE MINIMUM DEPTH OF COVER FROM THE GROUND FINISH SURFACE TO THE CROWN OF CONDITIONS GRAVITY PIPES WITHOUT PROTECTION SHOULD (OBR BE AS FOLLOWS: <

A. GARDENS AND PATHWAYS WITHOUT ANY POSSIBILITY OF VEHICULAR ACCESS – DEPTH NOT LESS THAN 0.5M (THIS WOULD NORMALLY RELATE TO DRAINS IN PRIVATE PROPERTY, SHOULD SHALLOW PIPES OF THIS NATURE ARE BE UNDESIRABLE AND SHOULD BE INSTALLED IN EXCAVATED ACCORDANCE WITH THE CURRENT BUILDING REGULATIONS). DISPOSED OF DRIVEWAYS, PARKING AREAS AND YARDS WITH IN HEIGHT RESTRICTIONS TO PREVENT ENTRY BY ACCORDANCE VEHICLES WITH A GROSS VEHICLE WEIGHT IN WITH EXCESS OF 7.5 TONNES – DEPTH NOT LESS THAN 0.75m. WASTE

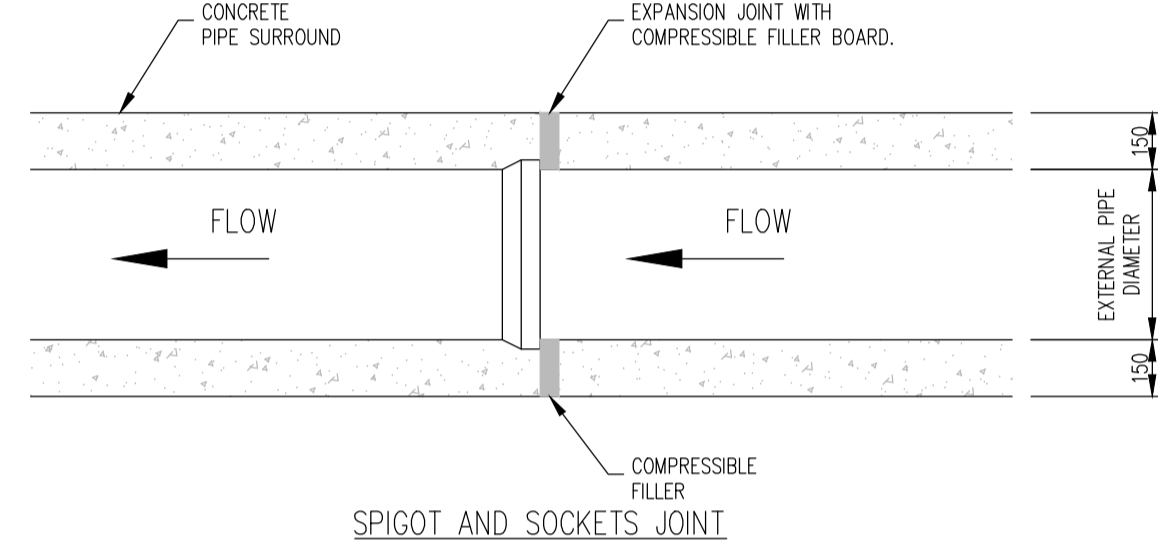
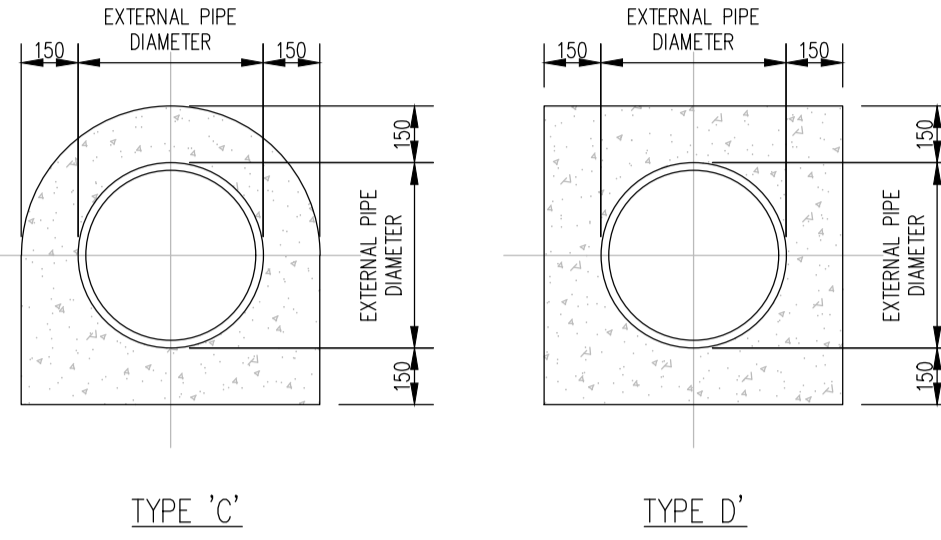
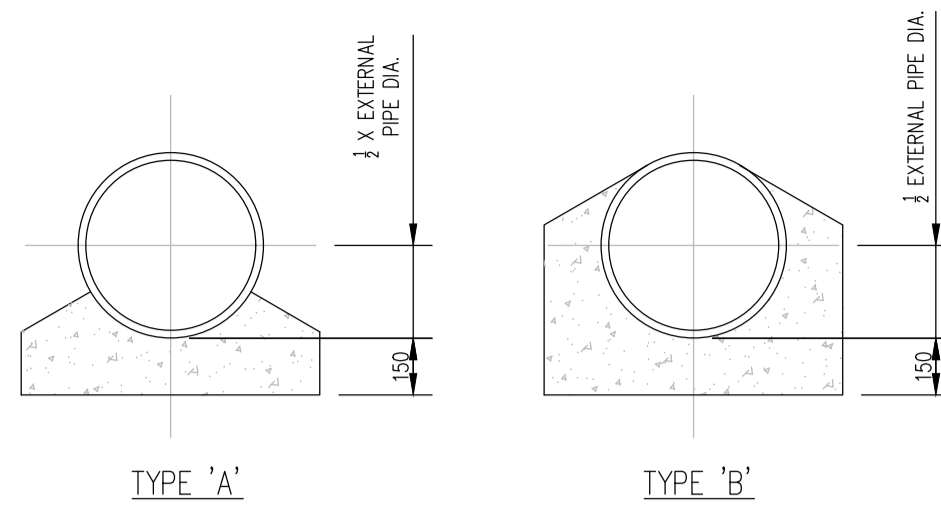
B. DRIVEWAYS, PARKING AREAS AND NARROW MANAGEMENT STREETS WITHOUT FOOTWAYS (EG MENUS ACT AND DEVELOPMENTS) WITH LIMITED ACCESS FOR CLAUSE VEHICLES WITH A GROSS VEHICLE WEIGHT IN 808 EXCESS OF 7.5 TONNES – DEPTH NOT LESS MATERIAL THAN 0.9m. IN DEPTHS OF SEWERS IN GATED ESTATES SHALL ACCORDANCE BE SIMILAR TO THAT OUTLINED ABOVE.

C. WITH THE

D. AGRICULTURAL LAND AND PUBLIC OPEN NATIONAL SPACE – DEPTH NOT LESS THAN 0.9m. ROADS OTHER HIGHWAYS AND PARKING AREAS WITH AUTHORITY UNRESTRICTED ACCESS TO VEHICLES WITH A SPECIFICATION GROSS VEHICLE WEIGHT IN EXCESS OF 7.5 FOR TONNES – DEPTH NOT LESS THAN 1.2m. ROAD 3 CLAUSE 808 MATERIAL IN ACCORDANCE WITH WORKS THE NATIONAL ROADS AUTHORITY SHALL SPECIFICATION FOR ROAD WORKS IS TO BE REPLACE USED AS BACKFILL MATERIAL WHERE THE SEWER MAIN IS LOCATED IN ROADS, EXCAVATED FOOTPATHS OR WHEN THE NEAREST PART OF MATERIAL, THE TRENCH IS WITHIN 1M OF THE PAVED WRAPPED EDGE OF THE ROADWAY, CLAUSE 808 IS TO IN BE COMPACTED AS PER CLAUSE 802 OF THE GEO-TEXTILE NATIONAL ROADS AUTHORITY SPECIFICATION WRAPPING, FOR ROAD WORKS. ALTERNATIVELY, SPECIAL 4 SELECTED EXCAVATED MATERIAL MAY BE USED PIPE IN GREEN-FIELD AREAS ABOVE GRANULAR SUPPORT PIPE SURROUND MATERIAL SUBJECT TO THE ARRANGEMENTS, APPROVAL OF IRISH WATER INCLUDING 5 PIPE BEDDING SHALL COMPLY WITH HIS PILING 4-08-02 AND ON 4-08-01 GRANULAR ETC. MATERIAL SHALL BE 14mm TO 5MM GRADED MAY AGGREGATE OR 10MM SINGLE SIZED BE AGGREGATE IS EN 13242. CONCRETE BED, REQUIRED HAUNCH & SURROUND, WHERE REQUIRED, WHERE SHALL BE TO STD-WW-08. THE DEPTH OF SOFT MATERIAL IS EXCESSIVE, SUCH ARRANGEMENTS SHALL BE SUBJECT TO ASSESSMENT BY IRISH WATER BEFORE ADVANCING WITH THE WORK. 7 IN GREEN FIELD AREAS, TYPE B BACKFILL (SELECTED EXCAVATED MATERIAL) WILL BE ALLOWED ABOVE THE SIDE HAUNCH GRANULAR MATERIAL IN THE CASE OF RIGID PIPES. A GRANULAR SURROUND OF A MINIMUM DEPTH OF 150mm ABOVE THE CROWN OF THE PIPE IS REQUIRED FOR FLEXIBLE PIPES, AND TYPE B MATERIAL MAY BE USED AS BACKFILL ABOVE THIS. ALL RISING MAINS IN GREENFIELD AREAS SHALL HAVE A MINIMUM COVER OF 300mm OF GRANULAR MATERIAL ABOVE THE EXTERNAL CROWN OF THE PIPE. 8 PIPES SHALL NOT BE SUPPORTED ON STONES, ROCKS OR ANY HARD OBJECTS AT ANY POINT ALONG THE TRENCH. ROCK SHALL BE EXCAVATED TO A DEPTH OF 150mm BELOW THE ACTUAL DEPTH OF THE TRENCH WITH THE VOID FILLED WITH CLAUSE 808 MATERIAL IN ACCORDANCE WITH THE NATIONAL ROADS AUTHORITY SPECIFICATION FOR ROAD WORKS. THE GRANULAR MATERIAL SHALL BE LAID ABOVE THIS VOID BACKFILL MATERIAL. 9 NON DEGRADABLE MARKER TAPE SHOULD BE INSTALLED AT TOP OF PIPE BEDDING LAYER. IN THE CASE OF NON-METAL PIPE MATERIAL, THE MARKER TAPE SHOULD INCORPORATE A TRACE WIRE WHICH IS LINKED TO FITTINGS AND TERMINATED AT THE WASTE WATER PUMPING STATION AND THE DISCHARGE MANHOLE. 10 TRENCH WIDTHS FOR PIPE SIZES <80mm MAY BE <500mm, SUBJECT TO CONSIDERATION BEING GIVEN TO THE TRENCH DEPTH, HEALTH & SAFETY & CONSTRUCTION ACCESS REQUIREMENTS.

PIPE DIAMETER 'A' (mm)	DEPTH OF BEDDING 'C' (mm)
< 80 RISING MAIN	< SEE NOTE 10.
< 100	100
150 – 450	200

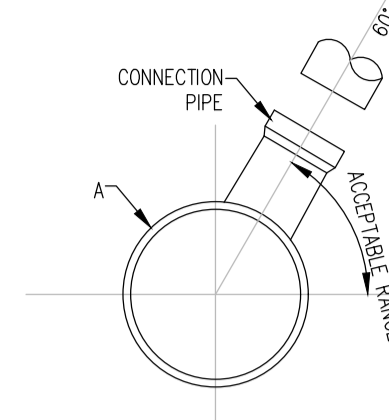
PIPE DIAMETER 'A' (mm)	TRENCH WIDTH 'B' (mm)
< 80 RISING MAIN	< SEE NOTE 10.
100	500
150	600
200	600
250	750
300	750
350	750
400	900
450	900



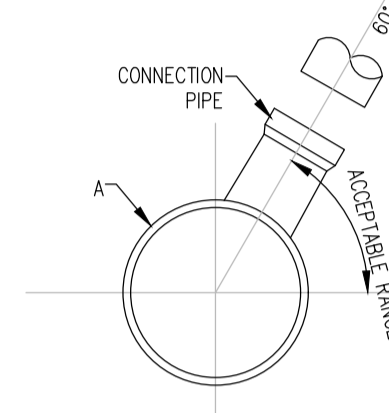
CONCRETE BED, HAUNCH AND SURROUND TO WASTEWATER PIPES. (STD-WW-08) SCALE 1:20

NOTES

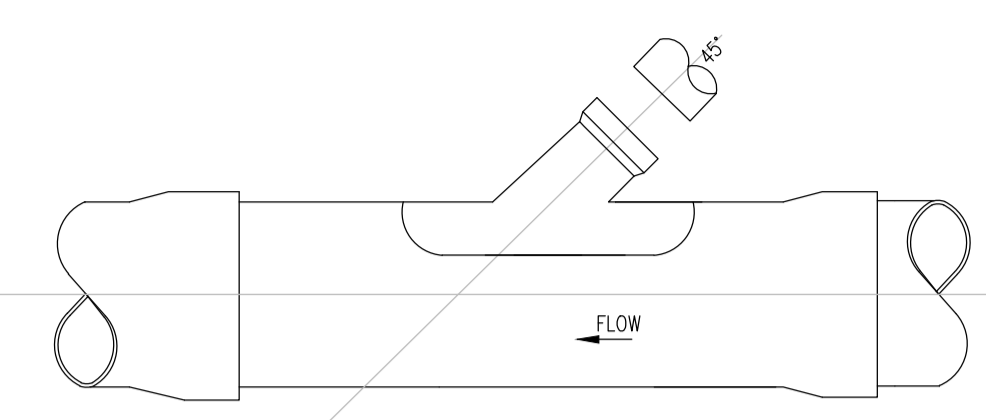
- ALL DIMENSIONS ARE IN MILLIMETERS (mm) UNLESS NOTED OTHERWISE.
- CONCRETE PIPELINE BEDS AND HAUNCHES MAY BE REQUIRED TO ADDRESS MINIMUM COVER SITUATIONS AND SHALL BE SUBJECT TO SUBMISSION AND ASSESSMENT BY IRISH WATER BEFORE ADVANCING WITH THE WORKS.
- CONCRETE PIPE BEDS AND HAUNCHES SHALL HAVE A MINIMUM THICKNESS OF 150MM WITH AN ABSOLUTE MINIM DEPTH OF COVER ABOVE THE EXTERNAL CROWN OF THE PIPE OF 750MM.
- CONCRETE TO BE IN ACCORDANCE WITH IS EN 206 AND TO BE CLASSED C16/20.
- THE HAUNCHES AND SURROUNDS TO BE FORMED USING FORM WORK TO PROVIDE A ROUGH CAST FINISH.
- EXPANSION JOINTS IN THE CONCRETE SHALL BE PROVIDED AT ALL PIPE JOINTS TO ALLOW FOR PIPE FLEXIBILITY, COMPRESSIBLE FILLER BOARD TO BE IN ACCORDANCE WITH BS EN 622-1 AND BS EN 622-4, AND TO BE 18mm THICK.
- POLYETHYLENE PIPES SHALL BE WRAPPED IN PLASTIC SHEETING HAVING A COMPETITION WITH ACCORDANCE WITH BS6076 BEFORE BEING CAST INTO CONCRETE.
- BITUMINOUS MATERIAL SHALL NOT BE PUT IN CONTACT WITH PE OR PVC PIPES.



CROSS-SECTIONAL VIEW OF SEWER

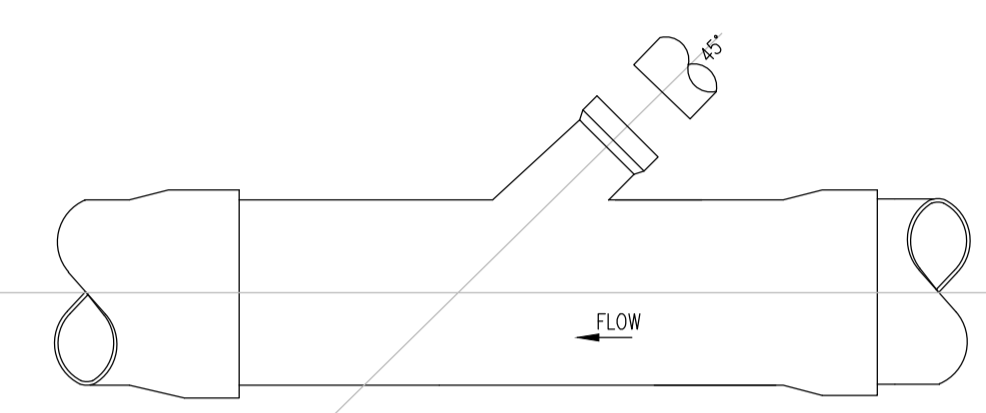


CROSS-SECTIONAL VIEW OF SEWER



VIEW IN DIRECTION OF ARROW A

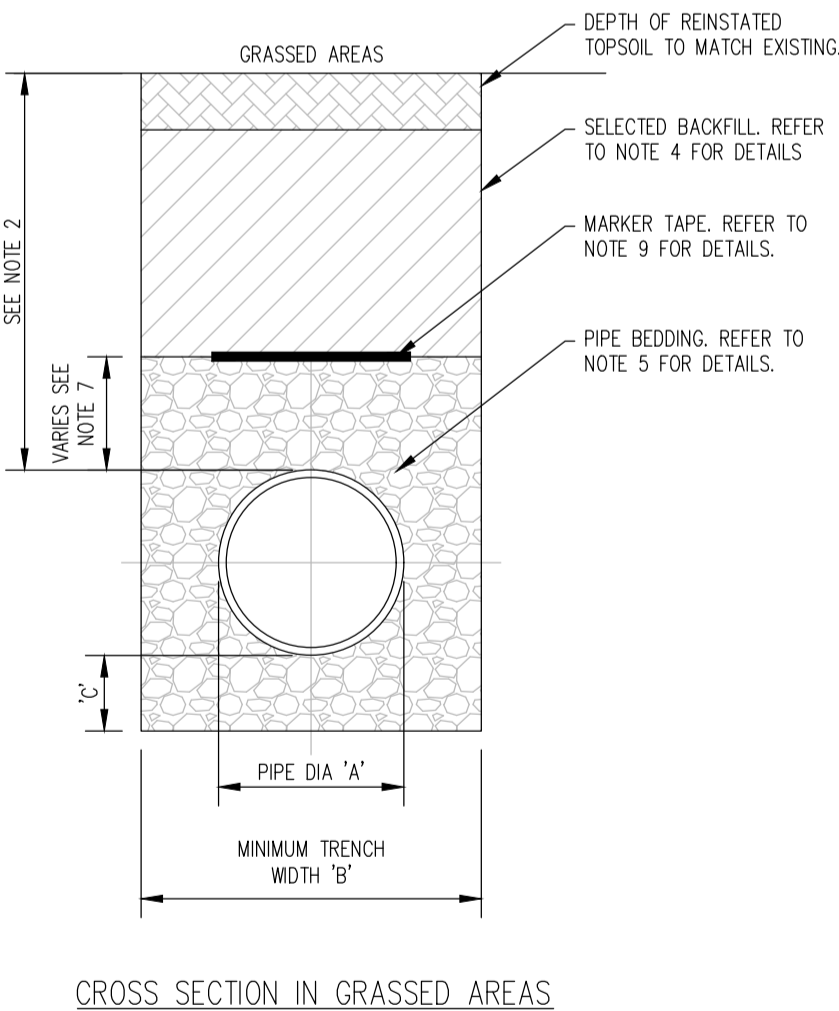
APPROVED 45° SADDLE CONNECTION



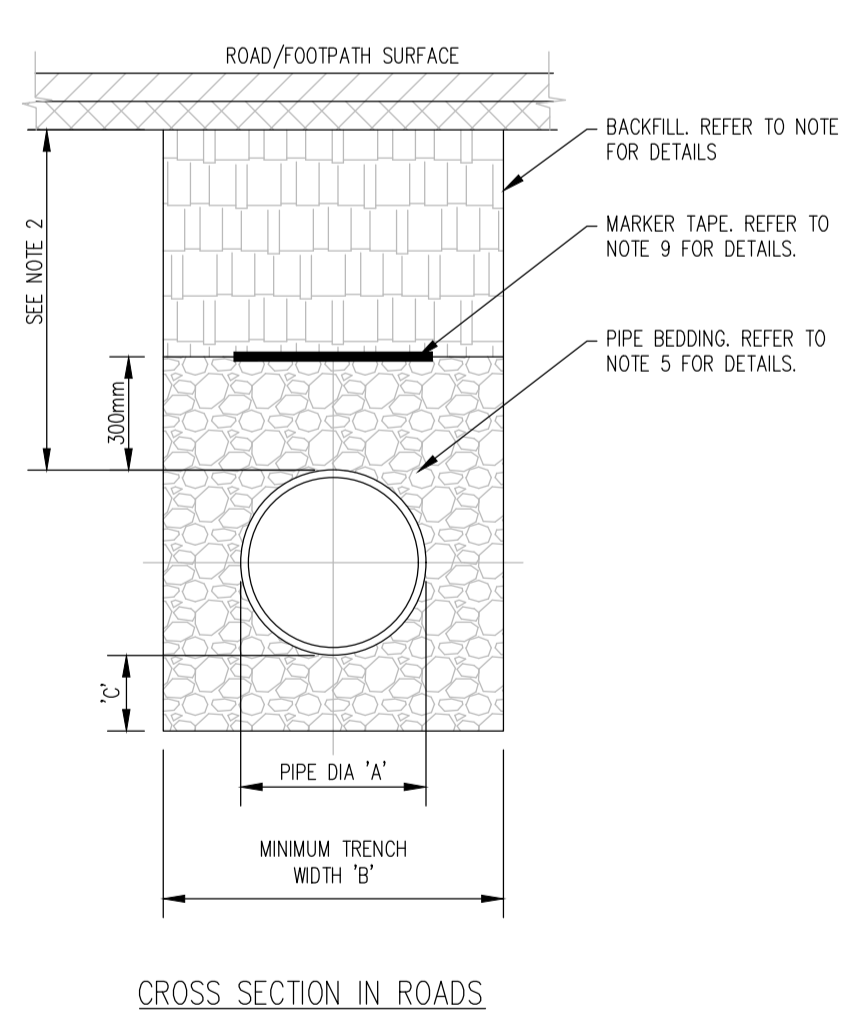
VIEW IN DIRECTION OF ARROW A

APPROVED 45° SADDLE CONNECTION

TYPICAL SEWER/SERVICE PIPE (STD-WW-04) SCALE 1:20

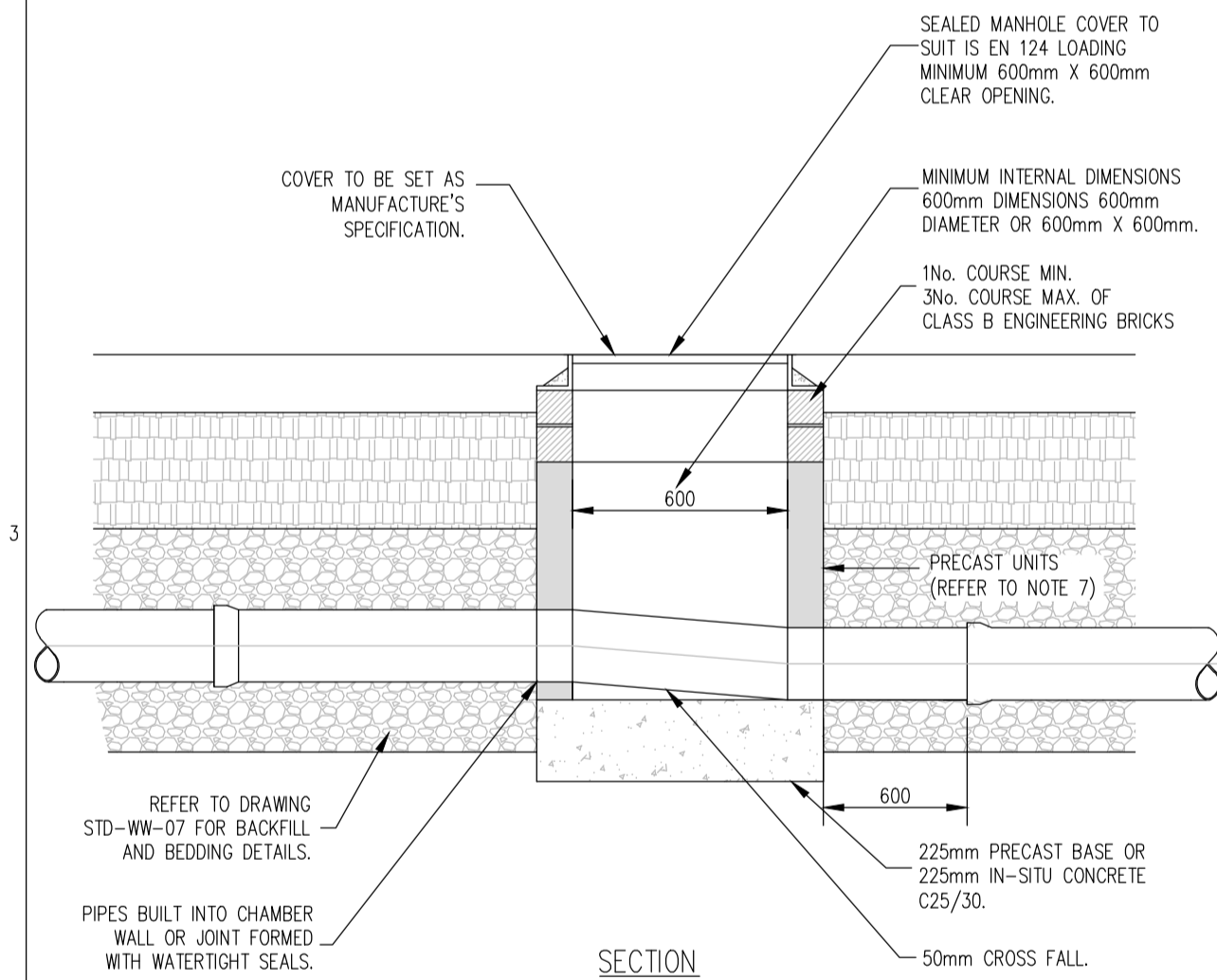


CROSS SECTION IN GRASSED AREAS

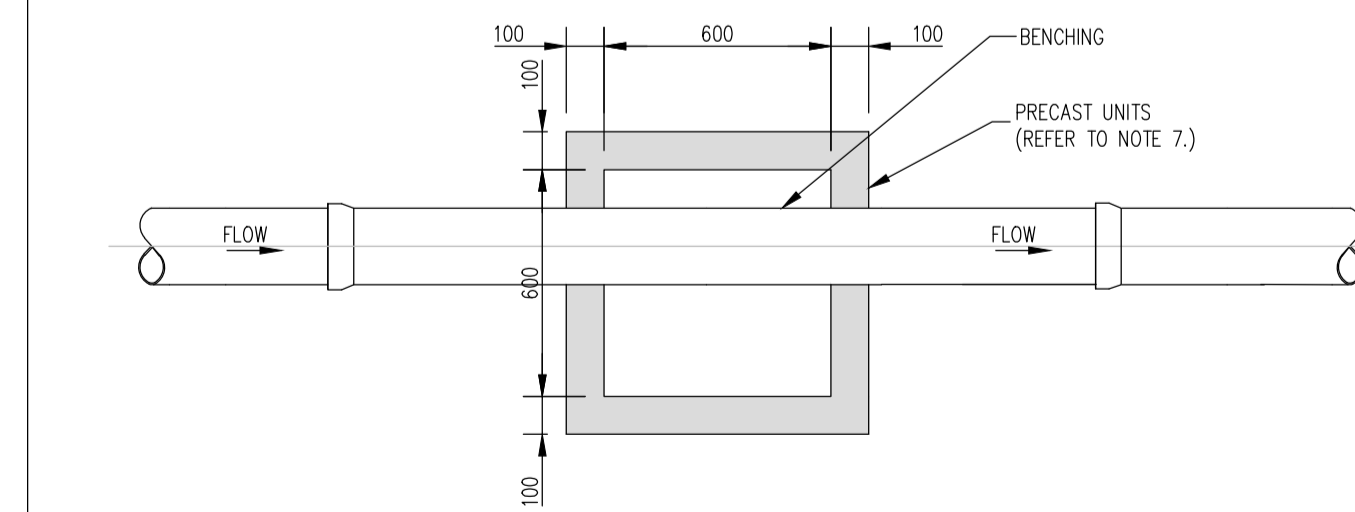


CROSS SECTION IN ROADS

TRENCH BACKFILL AND BEDDING (STD-WW-07) SCALE 1:20



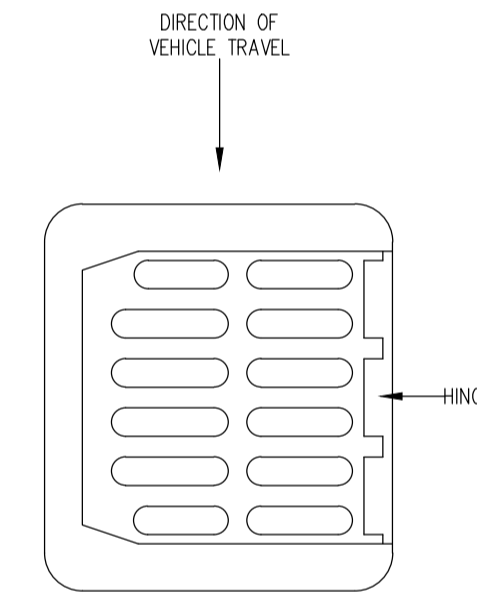
SECTION



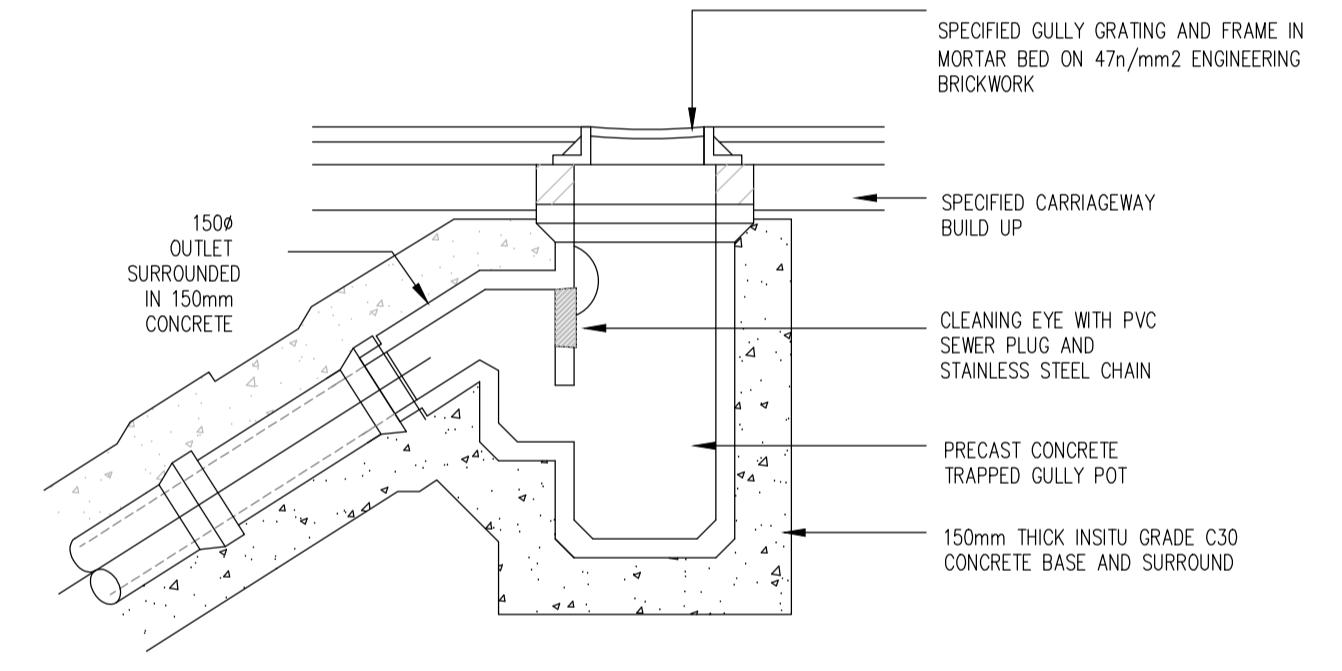
PLAN INSPECTION CHAMBER (PRECAST CONCRETE CONSTRUCTION)

NOTES

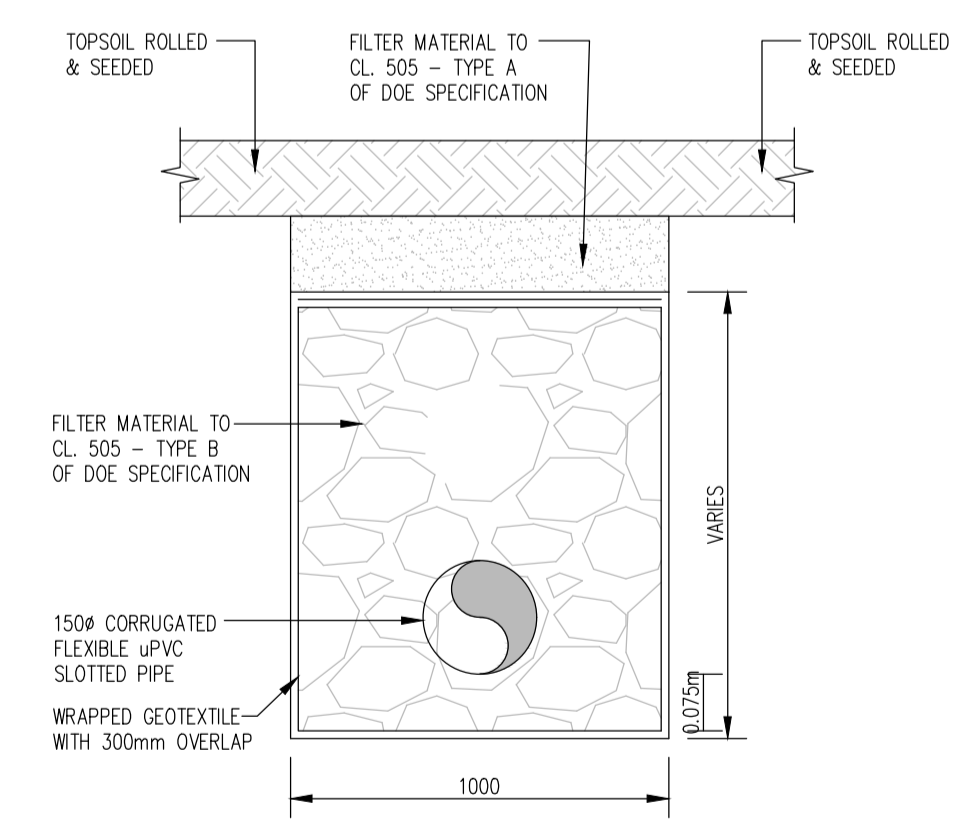
- ALL DIMENSIONS ARE IN MILLIMETERS (mm) UNLESS NOTED OTHERWISE.
- AN INSPECTION CHAMBER SHOULD BE LOCATED AT OR WITHIN 1m OF THE PROPERTY BOUNDARY AT THE UPSTREAM END OF EACH SERVICE CONNECTION ON THE PRIVATE SIDE OF THE CURTILAGE, IF PRACTICABLE.
- ANY PIPE AND ASSOCIATED ACCESS UPSTREAM OF THE POINT OF CONNECTION TO A PUBLIC SEWER IS A PRIVATE DRAIN AND SHOULD BE CONSTRUCTED IN ACCORDANCE WITH THE BUILDING REGULATIONS.
- ACCESS POINTS SHOULD BE LOCATED SO THAT THEY ARE ACCESSIBLE AND APPARENT TO THE MAINTAINER AT ALL TIMES FOR USE. THEY SHOULD AVOID REAR GARDENS OR ENCLOSED LOCATIONS AND THEY SHOULD NEVER BE OVERLAIN WITH SURFACE DRESSING, TOPSOIL, ETC.
- COVERS AND FRAMES SHALL BE SUITABLE FOR ROAD AND TRAFFIC CONDITIONS SUBJECT TO APPROVAL FROM IRISH WATER.
- 200mm ALL AROUND, 100mm DEEP CONCRETE PLINTH WITH PROTECTIVE STAINLESS STEEL METAL BAND AROUND COVERS IN GREEN AREAS.
- PROPRIETY PREFABRICATED CHAMBER UNITS MAY ALSO BE USED SUBJECT TO APPROVAL FROM IRISH WATER.
- CONCRETE CHAMBER SHALL BE SURROUNDED BY A MINIMUM OF 150mm COMPACTED CLAUSE 804 OR CLAUSE 808 MATERIAL AS PER STD-WW-07.



GULLY GRATE



PRECAST CONCRETE TRAPPED GULLY POT



FILTER TRENCH IN REAR GARDENS SCALE : 1/10

NOTES

- For setting out refer to Architect's drawings.
- This drawing to be read in conjunction with all other Architectural and Engineering drawings and all other relevant drawings and Specifications.
- DO NOT SCALE THIS DRAWING. Use figured dimensions only.
- No part of this document may be reproduced or transmitted in any form or stored in any retrieval system of any nature without the written permission as copyright holder except as agreed for use on the project for which the document was originally issued.
- Ordnance Survey Ireland Licence Number EN 0074022

Rev. No.	Date	REVISION NOTE	Dm. By	Chkd. By

Architect	MCA Architects Ltd
Project	Stradbrook Road Development
Title	DRAINAGE DETAILS SHEET 2 OF 3
Dwg. No.	BLK-CSC-ZZ-XX-DR-C-0009
Date	Oct 2020
Dm by	AB
Chkd by	GL
Apprd by	NB
Scale	AS SHOWN @ A1
Revision	

CS Consulting Group	
DUBLIN   LONDON   LIMERICK	
Head Office	19-22 Dame Street, Dublin 2.
Tel:	+353 (0)1 5480863
E-mail:	info@csconsulting.ie
Website:	www.csconsulting.ie
Quality	ISO 9001:2008
Environment	ISO 14001:2004
Energy	ISO 50001:2011
Health & Safety	ISO 45001:2018

**PLANNING DRAWING.**  
NOT FOR CONSTRUCTION.  
ALL LEVELS GIVEN ARE  
RELATIVE TO ORDNANCE DATUM.  
THIS DRAWING HAS BEEN ISSUED FOR INFORMATION  
PURPOSES ONLY AND MUST NOT BE USED  
FOR CONSTRUCTION UNDER ANY CIRCUMSTANCES